

Kubota

**KX251**  
Midi Excavator

KUBOTA NEW EXCAVATOR

**KX251**



# KUBOTA "MIDI" Excavator.

Kubota, the recognized leader in mini excavator design and performance, is extending its range into the "MIDI" sector with the new 7.5 ton KX251. Powered by the completely new Kubota V3300 engine the KX251 offers extended working range for today's construction and building sites. It is fast and powerful and at the same time quiet and economical.



## Work range

To meet the requirements of modern construction sites and to match the latest high capacity site dumpers and tippers, the KX251 has bucket capacity of 0.25 m<sup>3</sup>, a digging depth of 4.2 metres and a load over height of 4.6 metres.

## Control

A variable displacement 3 pump hydraulic matched to precision-made servo control valves allows smooth simultaneous operation of three hydraulic services for maximum control and high output. Hydraulic service port for breaker operation is standard.

## Offset

The KX251 at 7.5 tons is equipped with boom offset to the left and right to facilitate digging against walls and for efficient operation on confined sites. The slew and offset can be operated simultaneously.

## Tall swing

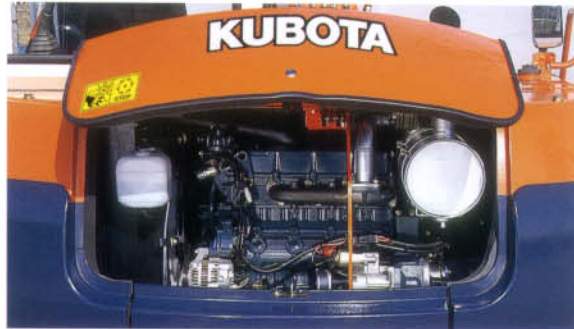
The KX251 rear overhang is only 495 mm and equipped with cast iron protectors, which significantly reduces damage to the machine on restricted work sites.





### Kubota engine

The KX251 is powered by a completely new 4 cylinder 3.3 litre diesel engine the V3300. The V3300 incorporates Kubota's unique "Three Vortex Combustion System" E-TVCS which coupled with 3 valves per cylinder gives complete combustion for low emission levels and low noise.



### Cabin

The KX251 cabin meets TOPS/FOPS (level 1) standards. It is spacious and quiet allowing excellent vision to the blade and bucket at all levels. It is equipped with suspension seat, seatbelt, heater/defroster and with space for radio (optional).



### Hoses

The dozer hydraulic cylinder hoses are of two piece design to facilitate easy replacement in the case of breakage or damage.



### Dozer blade

The KX251 is equipped as standard with a high capacity dozer blade for site leveling and back filling. Use of the blade can improve stability on soft or uneven ground.

### Tracks

Equipped as standard with durable rubber tracks for all site conditions, the KX251 is also available with steel track option for extreme or specialized conditions such as demolition.

### Service access

The lockable and fully opening engine cover gives easy access to main service points. Full access to the control valves for adjustment can be achieved by simply removing four bolts on the front bonnet.



# KUBOTA EXCAVATOR

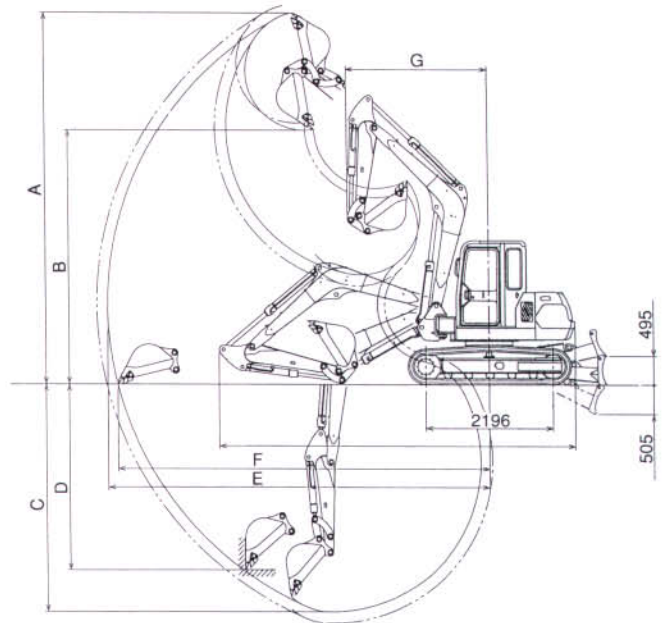
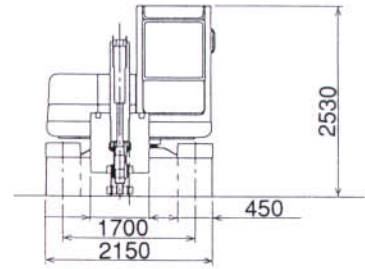
## SPECIFICATIONS

Model		KX251	
Machine weight (Cabin type)	rubber shoe type	kg	7,430
	steel shoe type	kg	7,530
Bucket capacity, std. SAE/CECE		m <sup>3</sup>	0.25
Bucket width	with side teeth	mm	750
	without side teeth	mm	680
Model		V3300	
Type		Water-cooled, diesel engine E-TVCS	
Engine	Output DIN 70020	PS/rpm	59.0/2,300
		kW/rpm	43.4/2,300
Number of cylinders		4	
Bore x stroke		mm	98 x 110
Displacement		cc	3,318
Overall length		mm	6,285
Overall height		mm	2,530
Track width		mm	2,150
Swivelling speed		rpm	9.7
Rubber shoe width		mm	450
Tumbler distance		mm	2,196
Dozer size (width x height)		mm	2,150 x 510
Hydraulic pilot lever		Standard	
Straight travel mechanism		Standard	
Hydraulic pumps	P1, P2		Variable displacement pump
	Flow rate	ℓ/min	78.2
	Hydraulic pressure	MPa (kgf/cm <sup>2</sup> )	25.5(260)
	P3		Gear pump
Max. digging force	Arm	kN (kgf)	37.2 (3,800)
	Bucket	kN (kgf)	51.5 (5,250)
Boom swing angle (left/right)		degree	80/50
Auxiliary circuit	Flow rate	ℓ/min	78.2
	Pressure	MPa (kgf/cm <sup>2</sup> )	25.5(260)
Hydraulic reservoir		ℓ	85
Fuel tank capacity		ℓ	130
Max. traveling speed	Low	km/h	3.1
	High	km/h	4.8
Ground contact pressure	rubber shoe type	kPa (kgf/cm <sup>2</sup> )	34 (0.339)
	steel shoe type	kPa (kgf/cm <sup>2</sup> )	34 (0.344)
Ground clearance		mm	420

\*Specifications are subject to change without notice for purpose of improvement.

## DIMENSIONS

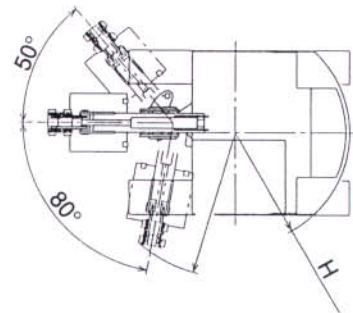
### WORKING RANGE



## WORKING RANGE

Unit: mm

Model		KX251	
Arm length		1,860	
A	Max. digging height	6,665	
B	Max. dumping height	4,625	
C	Max. digging depth	4,220	
D	Max. vertical digging depth	3,490	
E	Digging radius	Max. extension	6,880
F	Max. digging radius	at ground level	6,720
G	Min. swing radius of boom	without boom swing	2,485
		with boom swing	1,985
H	Rear swivelling radius	1,570	



**KUBOTA (U.K.) LTD.**

Dormer Road, Thame Oxfordshire, OX9 3UN, United Kingdom  
Phone: 084-421-4500 Fax: 084-421-6685 Telex 837551 KUBOTA G